



Chem Master SGS600 Series

6.0 Purity Single Stage Stainless Steel Diaphragm Cylinder Regulator



The Chem Master SGS600 single stage diaphragm cylinder regulators are designed for primary pressure gas control of corrosive, toxic and high purity gases up to grade 6.0 purity (99.9999%), on applications where slight pressure variation from decreasing cylinder pressure is acceptable.

- **SGS600 Series** | Single Stage Diaphragm Cylinder Regulator, FFKM Pressure Relief Valve

★ FEATURES

- Six port configuration
- Front and rear panel mounting capabilities
- Encapsulated seat design
- Low wetted surface area
- Full range of inlet and outlet fittings
- Side entry

🔧 MATERIAL

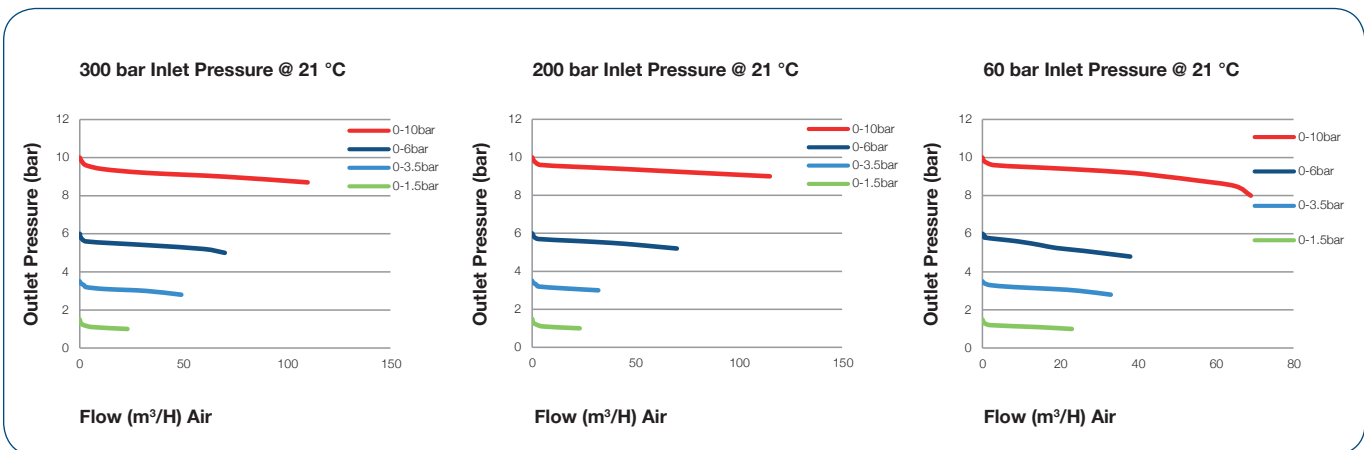
| | |
|----------------------|--------------------------------|
| ■ Body | 316L Stainless Steel |
| ■ Bonnet | Nickel Plated Brass Barstock |
| ■ Diaphragm | 316L Stainless Steel |
| ■ Bonnet Seal | PTFE |
| ■ Valve Seat | PCTFE |
| ■ Filter | 10 Micron 316L Stainless Steel |

* Subject to cylinder connection – ** Cylinder Connection not included
*** NACE and 3.1 material certificates available on request, please contact the sales office for further information.

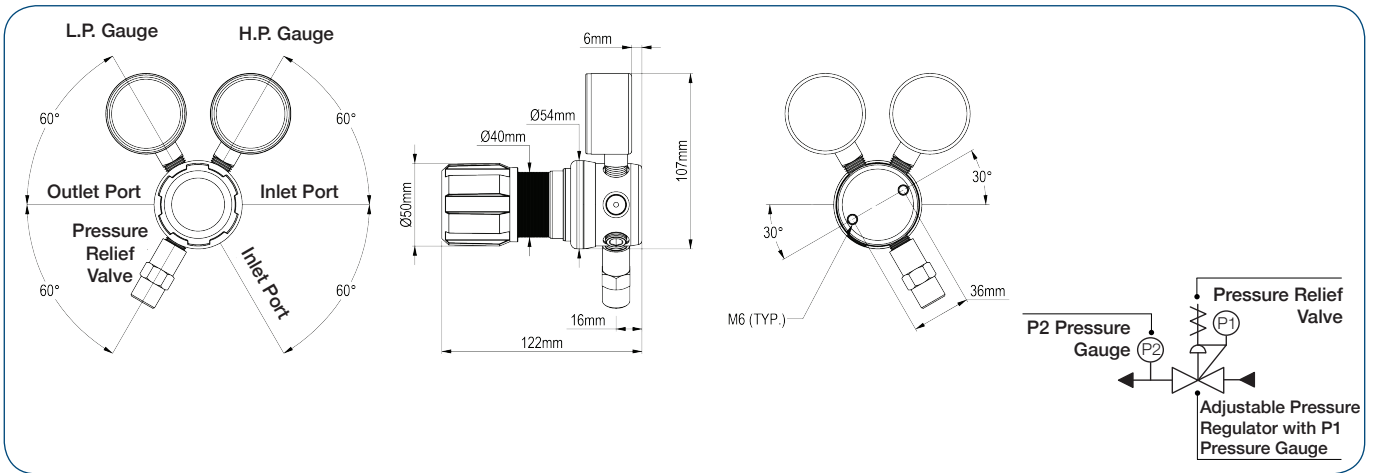
👍 SPECIFICATION

| | |
|----------------------------------|--|
| ■ Maximum Inlet Pressure | 60 bar (870 PSI) 300 bar (4350 PSI) * |
| ■ Delivery Pressure Range | 1.5 bar (22 PSI) 3.5 bar (50 PSI) 6 bar (90 PSI) 10 bar (150 PSI) |
| ■ Gauges | 50mm (2") Diameter |
| ■ Ports | 1/4" NPT Female |
| ■ Temperature Range | -20° C to +60° C (-4° F to +140° F) |
| ■ Helium Leak Integrity | 1 x 10 ⁻⁹ mbar l/s |
| ■ Weight | 1.2 kg (2.7 lb) ** |

✓ FLOW PERFORMANCE



DRAWINGS



MODEL NO. SELECTOR GUIDE

Example for a Model No. for SGS600 Series

| Product Type | Inlet Pressure Bar [Psig] | Outlet Pressure Bar [Psig] | Inlet Pressure Gauge | Outlet Pressure Gauge | Inlet Connection | Outlet Connection | Options |
|--------------|---------------------------|----------------------------|----------------------|-----------------------|---|--|---|
| SGS600 | 02 60 [870] | 02 0 to 1.5 [22] | 00 No Gauge Fitted | 00 No Gauge Fitted | 000 1/4 NPT Female | 00 1/4 NPT Female | A No Options Selected |
| | 04 300 [4350] | 03 0 to 3.5 [50] | 01 bar/PSI | 01 bar/PSI | 001 1/8 Stainless Steel Compression | 01 1/8 Stainless Steel Compression | B Regulator Tee Purge FKM |
| | 06 15 [220] | 04 0 to 6 [90] | 10 Plugged port | 10 Plugged port | 002 1/4 Stainless Steel Compression | 02 1/4 Stainless Steel Compression | C Regulator Tee Purge EPDM |
| | | 05 0 to 10 [150] | | | 003 6mm Stainless Steel Compression | 03 6mm Stainless Steel Compression | D Regulator Deep Purge FKM |
| | | | | | 004 1/4 NPT Male | 04 1/4 NPT Male | E Regulator Deep Purge EPDM |
| | | | | | 010 BS341 No.3 | 09 Isolation Valve, 1/4 NPT Female, FKM Seal | F Bonnet Vent Capture Kit |
| | | | | | 012 BS341 No.4 | 10 Isolation Valve, 1/4 NPT Female, EPDM Seal | G Helium Test Certificate |
| | | | | | 019 BS341 No.14 | 11 Isolation Valve, 1/8 Stainless Steel Compression, FKM Seal | H 3.1 Material Certificate*** |
| | | | | | 030 DIN477 No.6 | 12 Isolation Valve, 1/8 Stainless Steel Compression, EPDM Seal | J NACE Certificate*** |
| | | | | | 033 DIN477 No.9 | 13 Isolation Valve, 1/4 Stainless Steel Compression, FKM Seal | K Certificate of Conformity (CoC) |
| | | | | | 034 DIN477 No.10 | 14 Isolation Valve, 1/4 Stainless Steel Compression, EPDM Seal | L Panel Mount Locking Nut Kit |
| | | | | | 045 CGA320 | 15 Isolation Valve, 6 mm Stainless Steel Compression, FKM Seal | P Calibration/Pressure Test certificate |
| | | | | | 052 CGA540 | 16 Isolation Valve, 6mm Stainless Steel Compression, EPDM Seal | X Special Instruction |
| | | | | | 053 CGA580 | 17 Isolation Valve, 1/4 NPT Male, FKM Seal | |
| | | | | | For our complete range of cylinder connections refer to 'Chem Master Cylinder Connections Data Sheet' | 18 Isolation Valve, 1/4 NPT Male, EPDM Seal | |